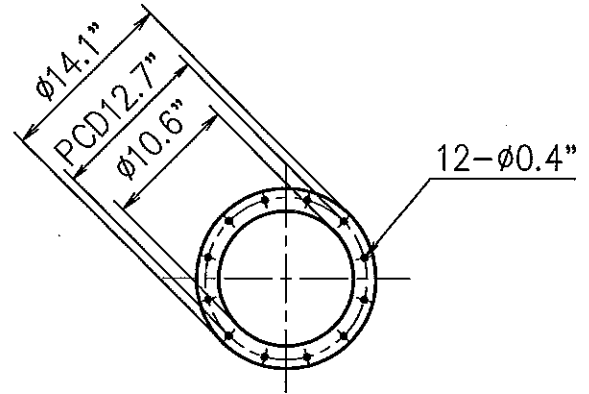
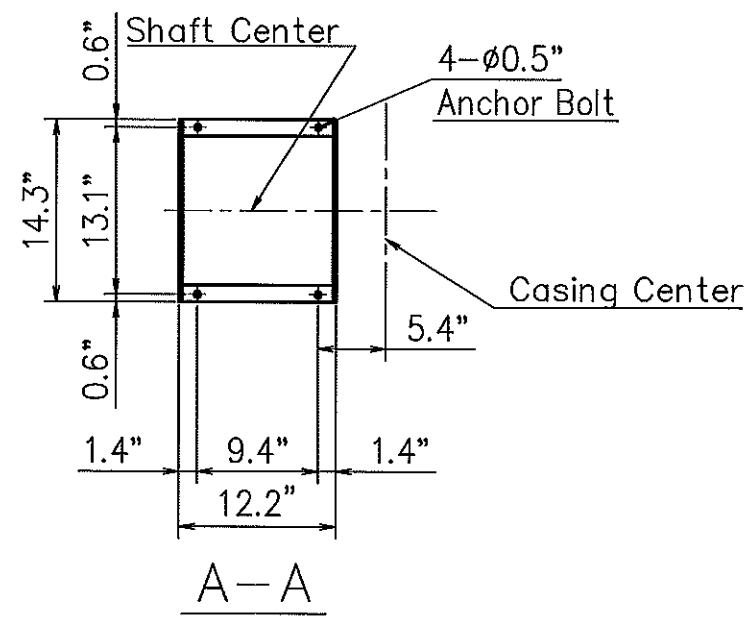


MODEL CES 101N



Suction & Discharge Flange

No.	NAME OF PART	MATERIALS	QTY	REMARK
CUSTOMER		SCALE	PROJECTION	SER.No.
NAME		DATE	UNIT	JOB.No.
APPROVED BY		CHECKED BY	DRAWN BY	
DWG. No.		F-61447C		

No.	DESCRIPTION	DATE	DRAWN	APPROVED

SEIKOW CHEMICAL ENGINEERING & MACHINERY, LTD.