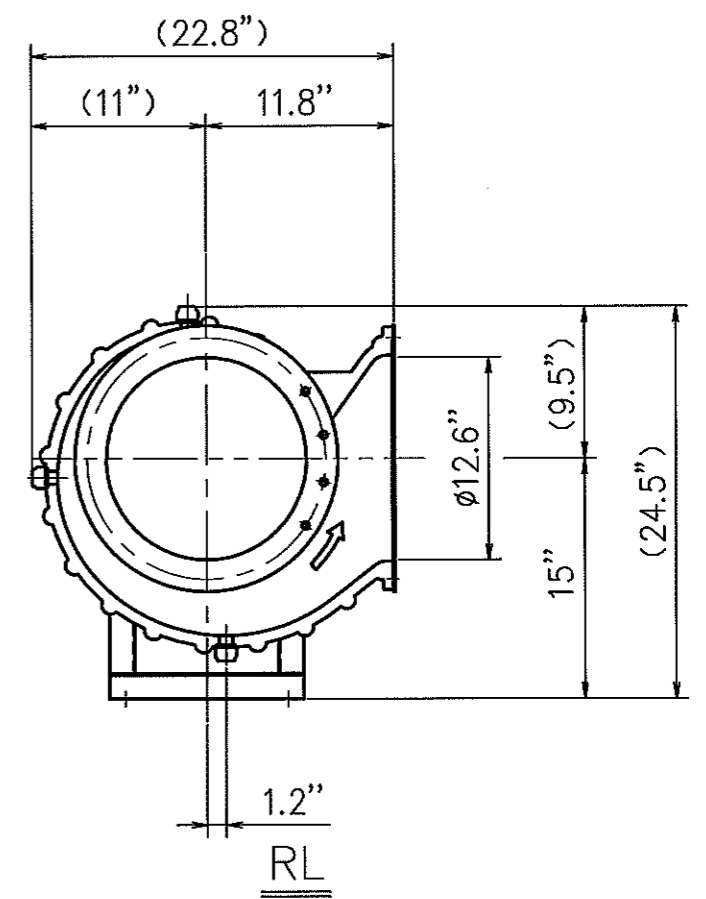
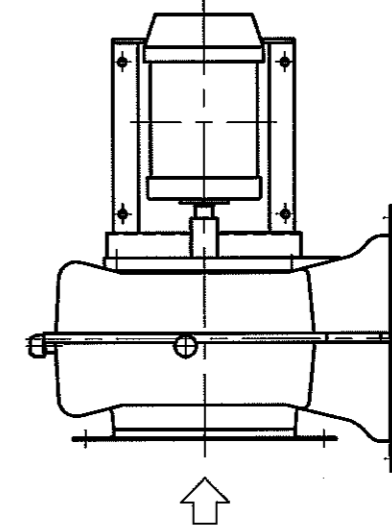
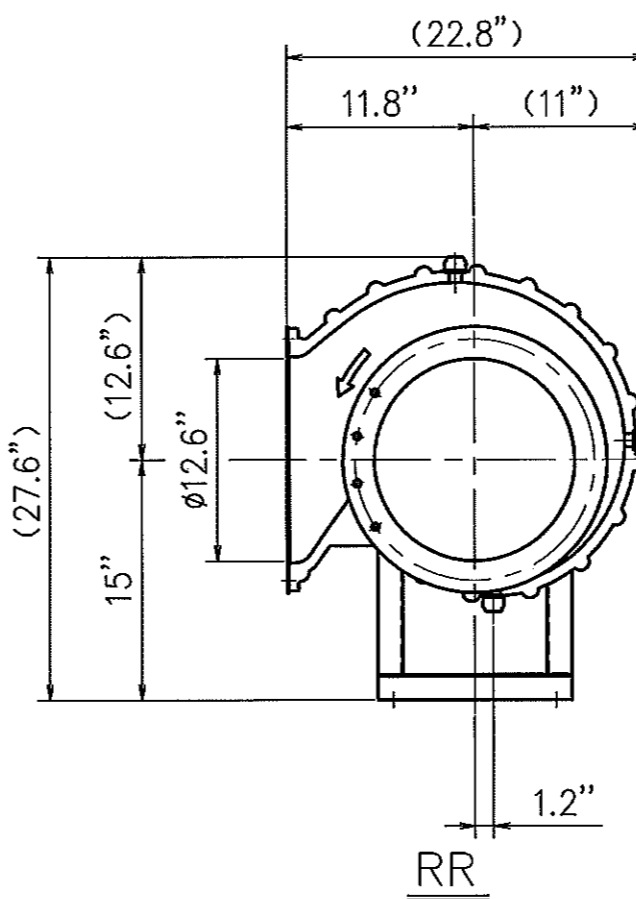
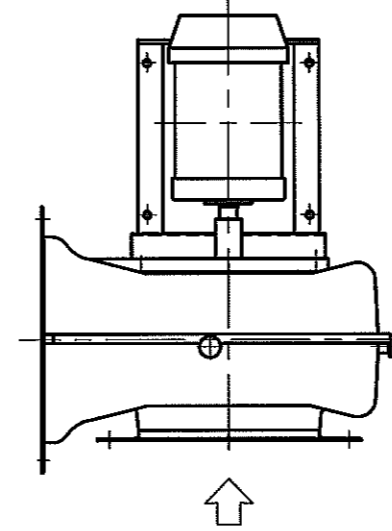
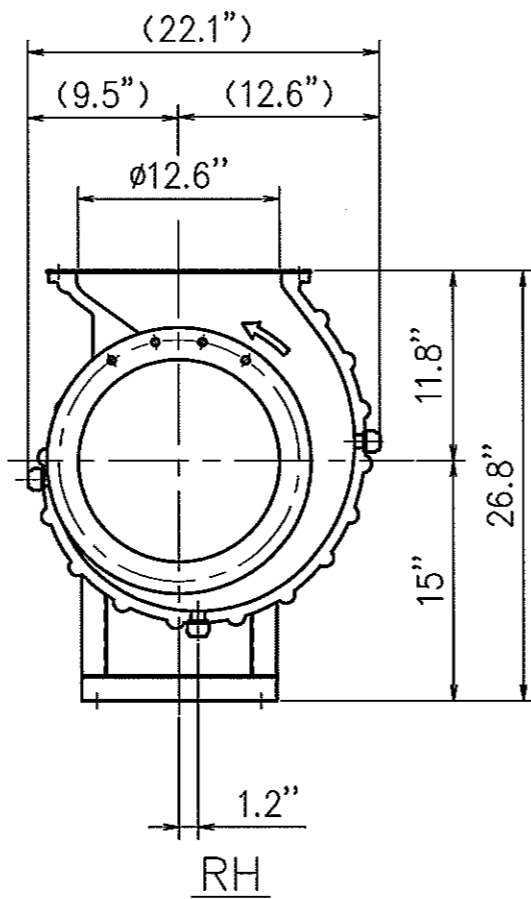
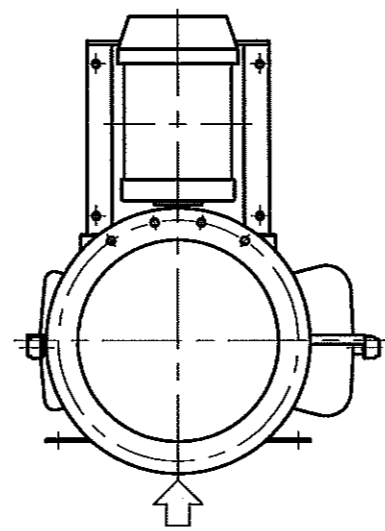
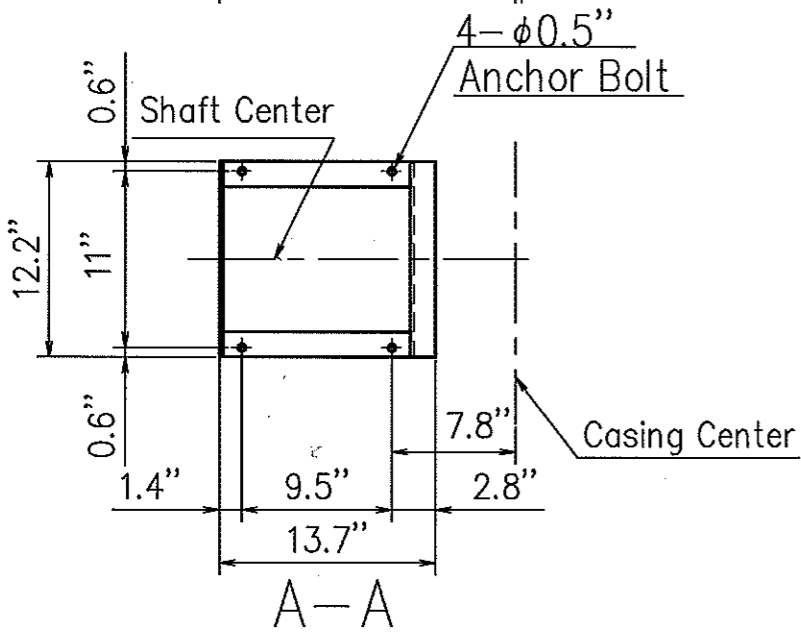
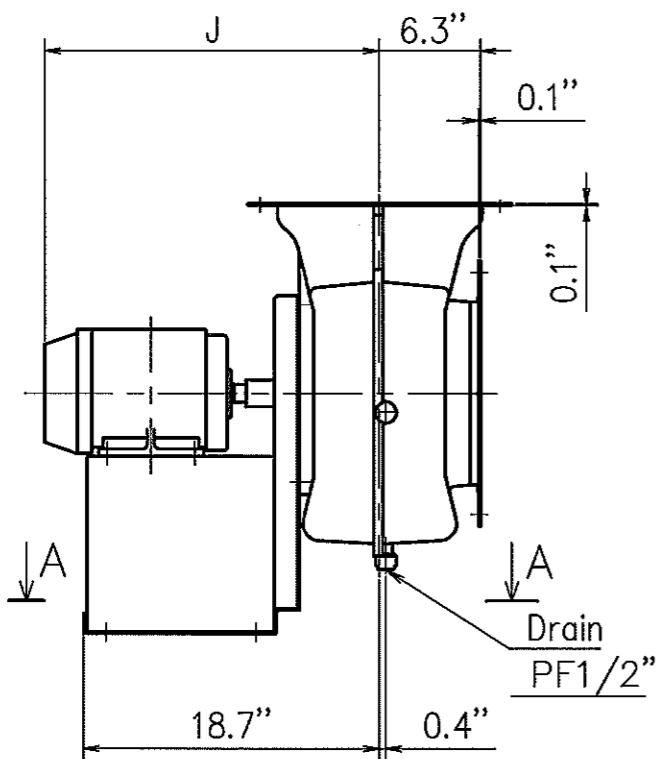


Suction & Discharge Flange



MODEL CES151DN

Motor Frame	J
56	16.9"
143T	18.5"
145T	19.5"
182T	21.3"

Attention: Values of "J" are approximate values, and are different by kinds of motor.

No.	DESCRIPTION	DATE	DRAWN	APPROVED

CUSTOMER	SCALE 1:12	PROJECTION	SER.No.
NAME	DATE Aug. 11. 2014	UNIT Inch	JOB.No.
APPROVED BY	CHECKED BY	DRAWN BY	
Mr. Mura	N. Yoshikawa	H. Morioke	
SEIKOW CHEMICAL ENGINEERING & MACHINERY, LTD.		DWG. No. F-61363C	