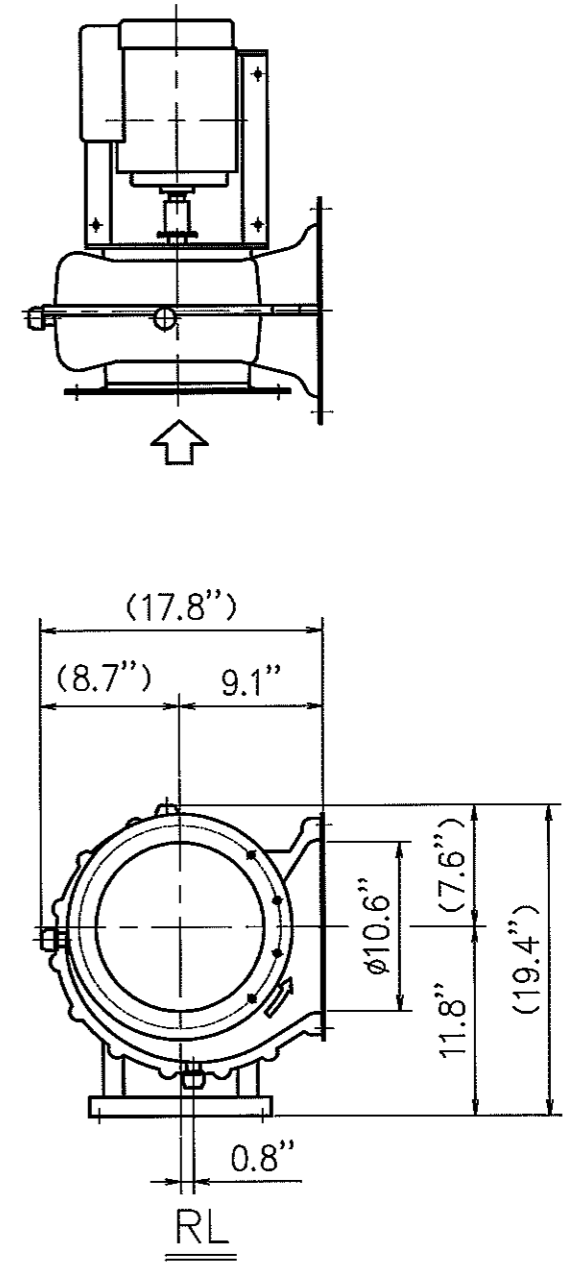
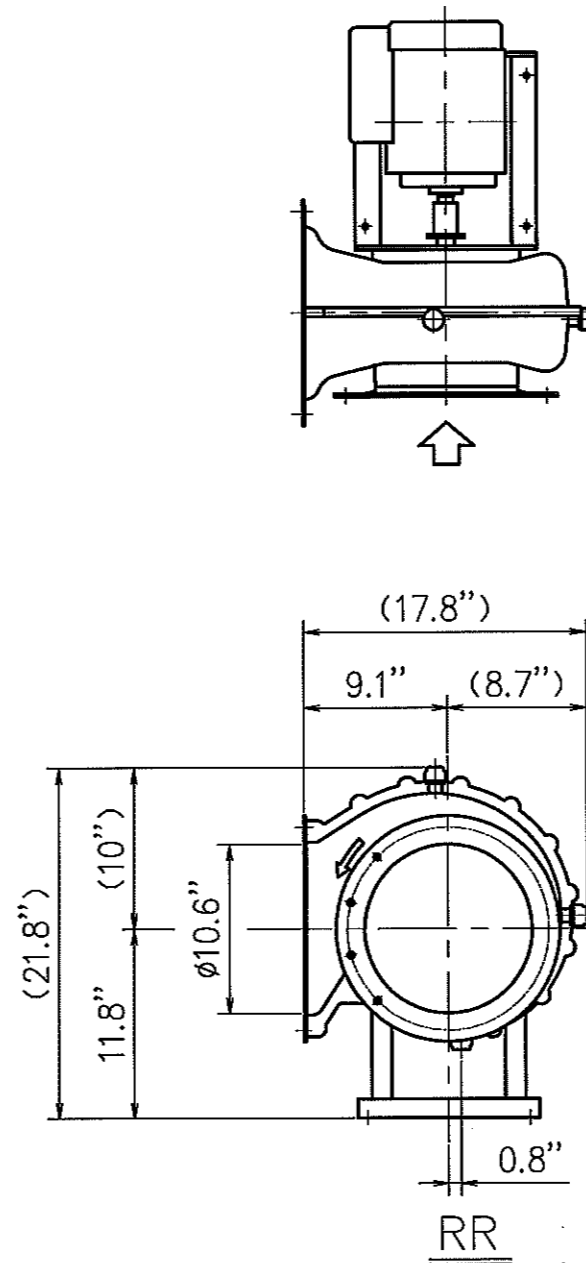
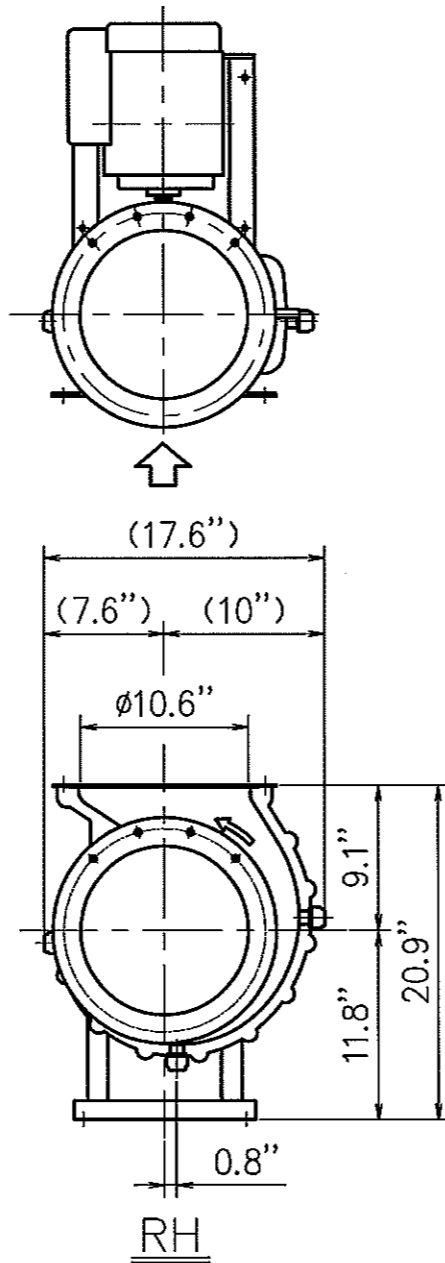
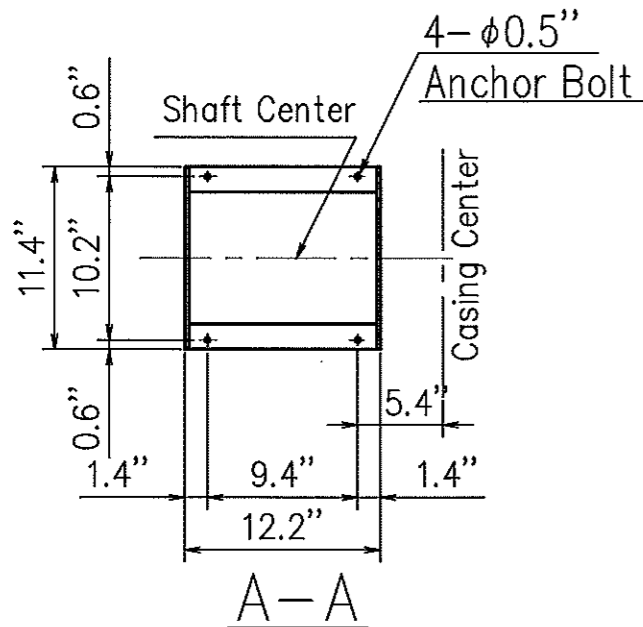
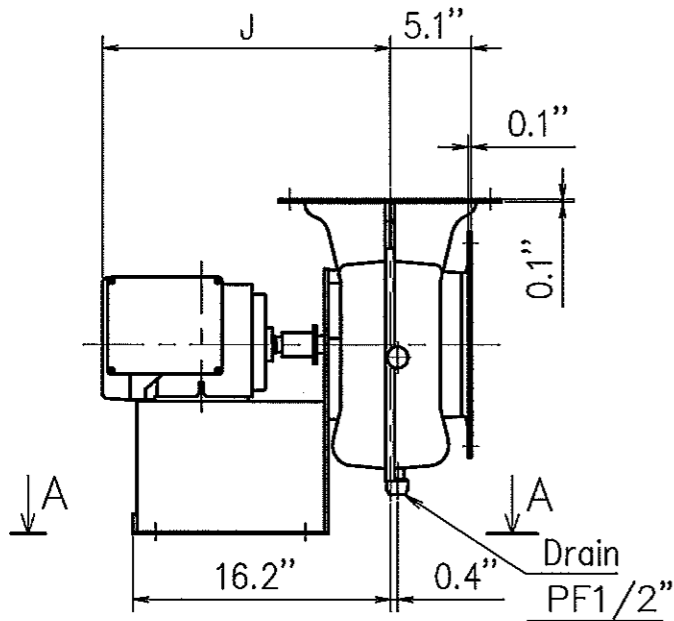


Suction & Discharge Flange



MODEL CES101DN

Motor Frame	J
56	15.6"
143T	17.4"
145T	18.4"

Attention: Values of "J" are approximate values, and are different by kinds of motor.

No.	DESCRIPTION	DATE	DRAWN	APPROVED
	Correction of J (Values) & Model name	Aug. 11, 2014	H. Morioka	M.M.

CUSTOMER	SCALE 1:12	PROJECTION	SER.No.
NAME	DATE	UNIT Inch	JOB.No.
TEXEL CHEMICAL FAN	APPROVED BY M.Mura	CHECKED BY	DRAWN BY H.Morioka
SEIKOW CHEMICAL ENGINEERING & MACHINERY, LTD.			DWG. No. F-61284C