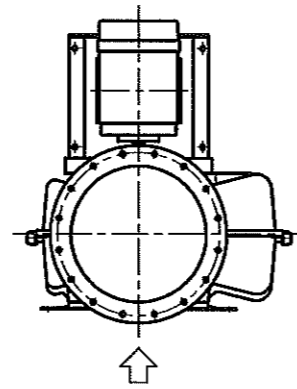
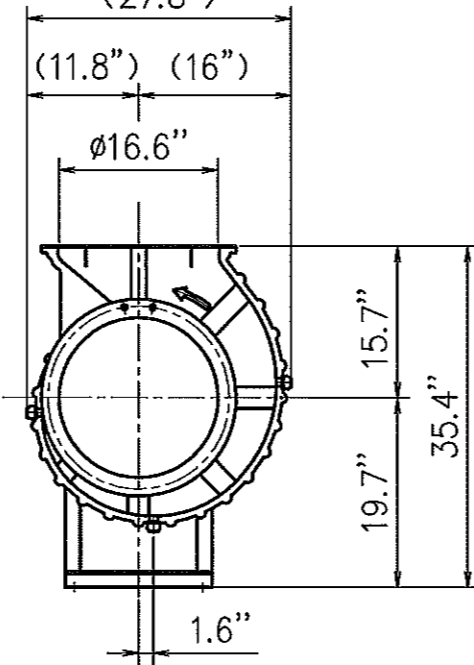


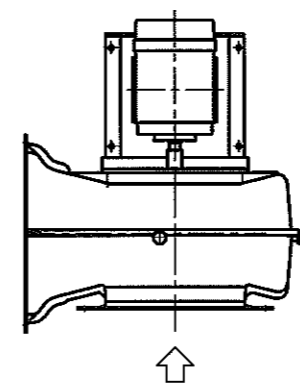
Suction & Discharge Flange



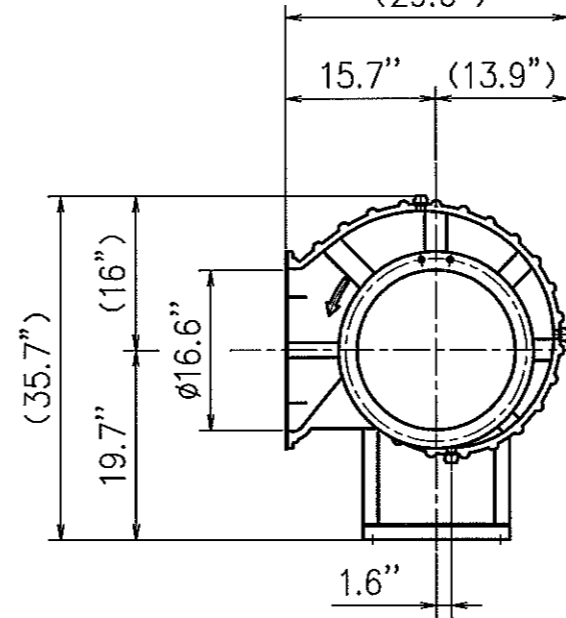
(27.8")



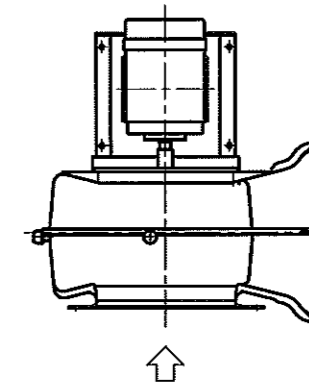
RH



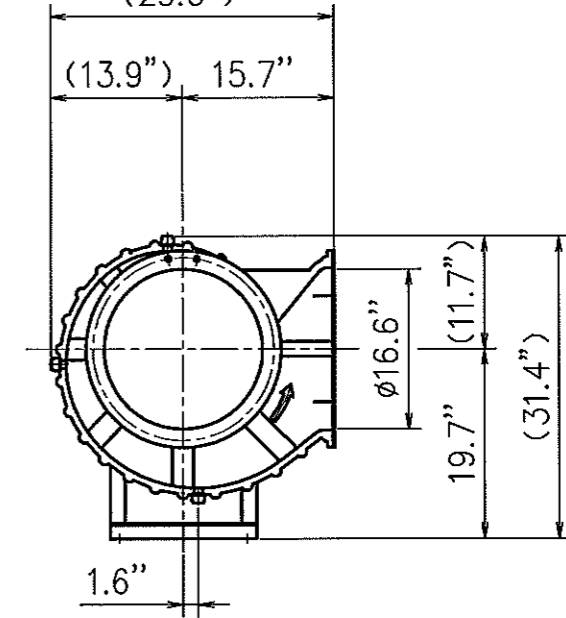
(29.6")



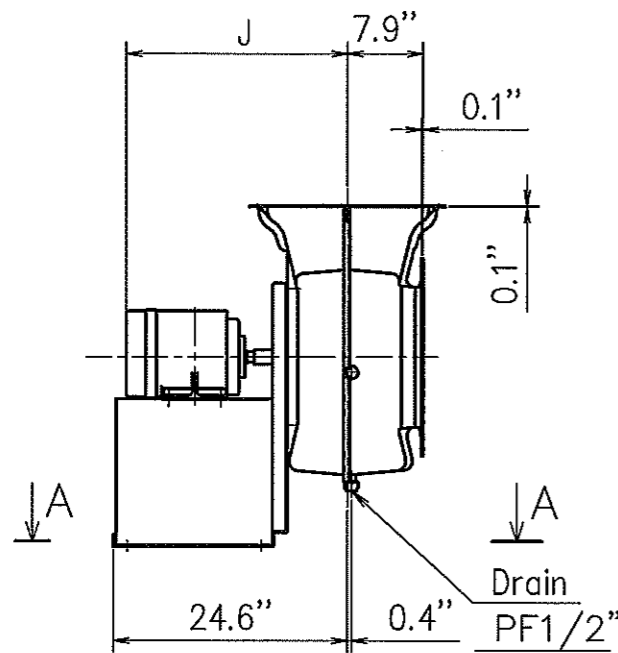
RR



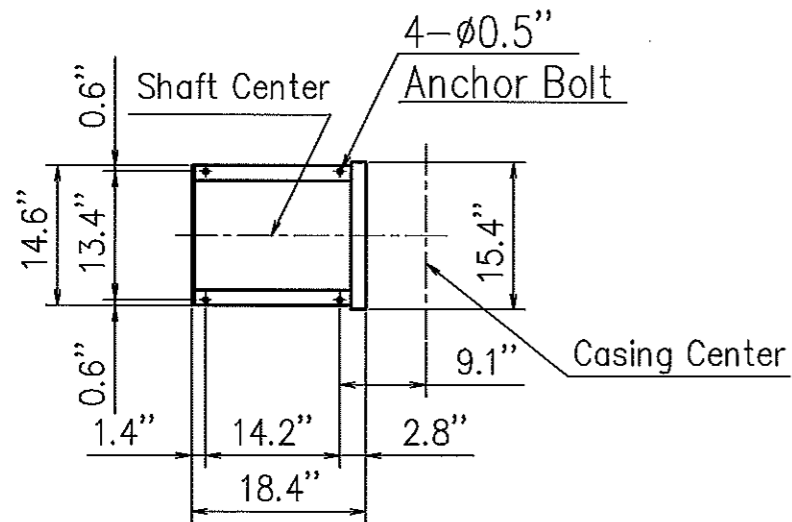
(29.6")



RL



Drain  
PF1/2"



A-A

Motor Frame	J
182T	22.1"
184T	23.1"
213T	25.2"
215T	26.7"

Attention : Values of "J" are approximate values ,  
and are different by kinds of motor.

MODEL      CES201DN

CUSTOMER	SCALE 1:20	PROJECTION 	SER.No.
NAME TEXEL CHEMICAL FAN	DATE Aug. 12, 2014	UNIT Inch	JOB.No.
APPROVED BY 	CHECKED BY N. Yoshikawa	DRAWN BY K. Morioke	
SEIKOW CHEMICAL ENGINEERING & MACHINERY, LTD.		DWG. No. F-61339C	

No.	DESCRIPTION	DATE	DRAWN	APPROVED